

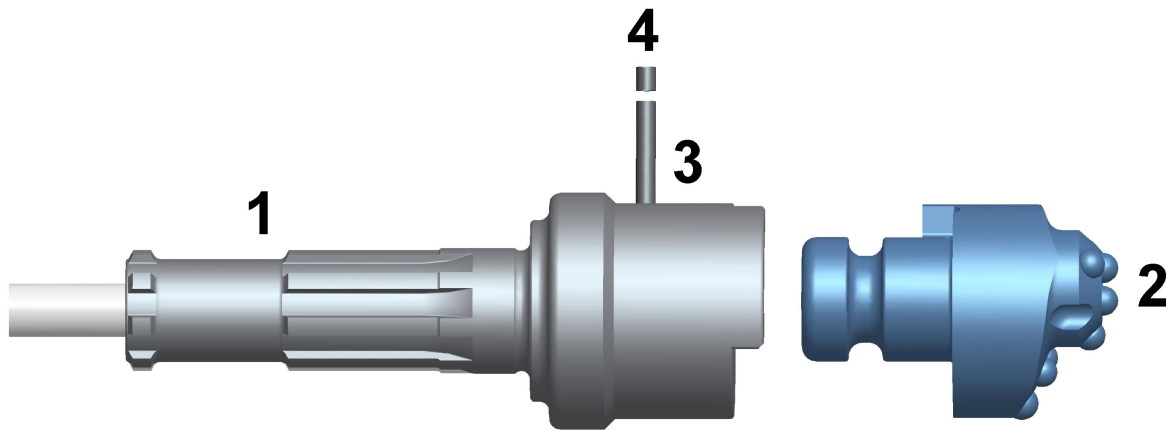
PITMEC

THE PES 90 ECCENTRIC UNDERREAMING SYSTEM



CASING SIZE 114MM OD X 102MM ID DRILLING DIA. 125MM

PNEUMEC PES 90 ECCENTRIC UNDERREAMING SYSTEM



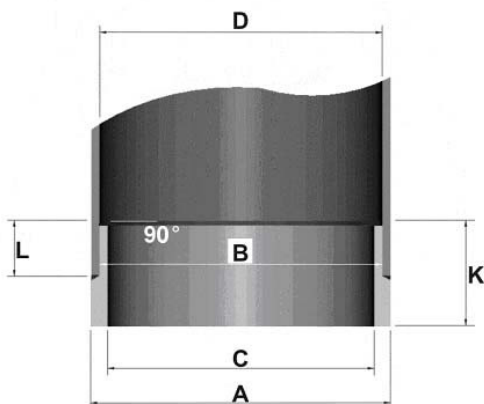
PES 90 PARTS LIST

| | | |
|----|---------------------------|-------------|
| 1. | GUIDE DEVICE MACH33 SHANK | UGD90M33PES |
| 2. | ECCENTRIC BIT | UPB90PES |
| 3. | LOCKING PIN | USP9050PES |
| 4. | SPLIT PIN | USP9051PES |
| 5. | COMPLETE SYSTEM | UCS90M33PES |

PES 90 SPECIFICATIONS

| | | | |
|---------------------|-------|-----------------|-----------------------|
| UPPER BODY DIAMETER | 100MM | CLOSED DIAMETER | 90MM |
| REAMING DIAMETER | 125MM | CASING SIZE | 114.3MM OD X 102MM ID |
| SYSTEM LENGTH | 360MM | SYSTEM WEIGHT | 14KG |

PES 90 CASING SHOES



| | |
|--------|---------|
| DIA. A | 114.3MM |
| DIA. B | 100MM |
| DIA. C | 92MM |
| DIA. D | 102MM |
| L | 35MM |
| K | 60MM |

PNEUMEC

PNEUMEC COMPANY LIMITED

1st Floor, Tin On Sing Comm. Bldg., 41-43 Graham St. Central, H.K.

Tel : (852) 2180 9922

Fax : (852) 2180 9982

Website : www.pneumec.com

email : info@pneumec.com